



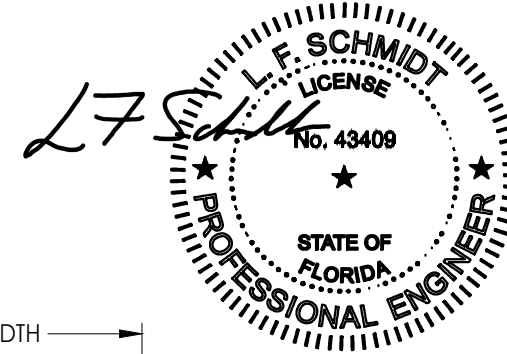
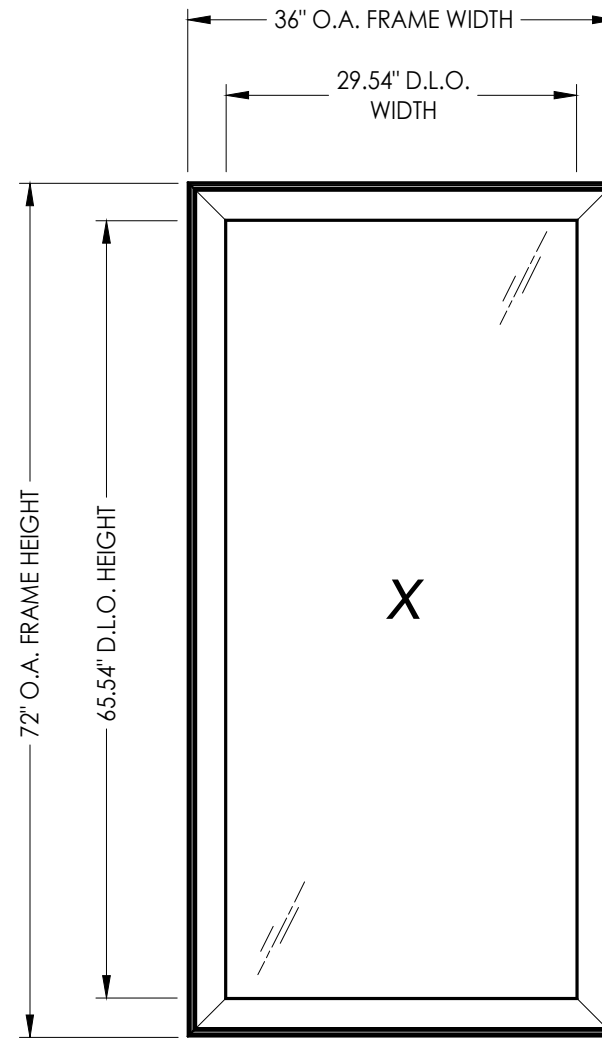
250 Staunton Turnpike, Parkersburg, WV 26104

8800 Series Vinyl Outswing Casement Window "IMPACT"

GENERAL NOTES

1. This product has been evaluated and is in compliance with the 8th Edition (2023) Florida Building Code (FBC) structural requirements including the "High Velocity Hurricane Zone" (HVHZ).
2. Product anchors shall be as listed and spaced as shown on details. Anchor embedment to base material shall be beyond wall dressing or stucco.
3. When used in the "HVHZ", this product complies with Section 1626 of the FBC and does not require an impact resistant covering.
4. For 2x stud framing construction, anchoring of these units shall be the same as that shown for 2x buck masonry construction.
5. Site conditions that deviate from the details of this drawing require further engineering analysis by a licensed engineer or registered architect.
6. This product meets the water infiltration requirements for the "HVHZ".

TABLE OF CONTENTS	
SHEET#	DESCRIPTION
1	Typical elevations, design pressures and general notes
2	Horizontal & vertical cross sections
3	Horizontal & vertical cross sections
4	Buck and frame anchoring
5	Bill of materials, components and glazing details



This item has been digitally signed and sealed by L. F. Schmidt, P.E. on the date adjacent to the seal. Printed copies of this document are not considered signed and sealed and the signature must be verified on any electronic copies.

THIS PRODUCT APPROVAL IS VALID ONLY FOR THE STATE OF FLORIDA

Documents Prepared By:
Lyndon F. Schmidt
P.E. No. 43409

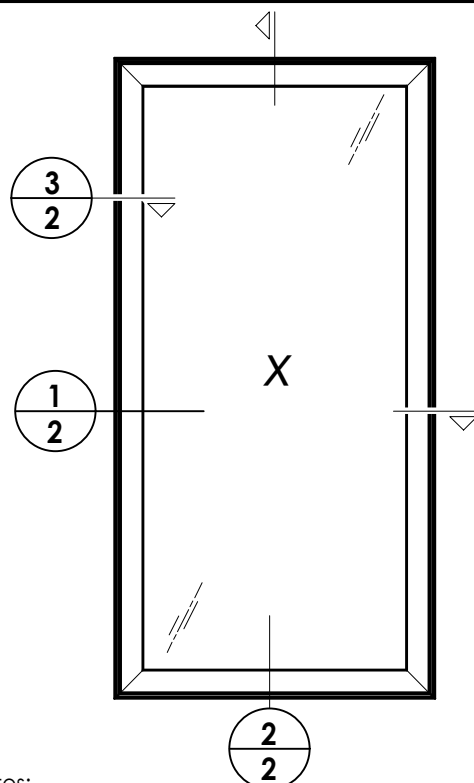
RW BUILDING CONSULTANTS, INC.
P.O. Box 230, Valrico, FL 33595
Phone No.: 813.659.9197
FBPE Registry No. 9813

PRODUCT: 8800 SERIES Vinyl Outswing Casement Window
PART OR ASSEMBLY: TYPICAL ELEVATION, DESIGN PRESSURES & GENERAL NOTES

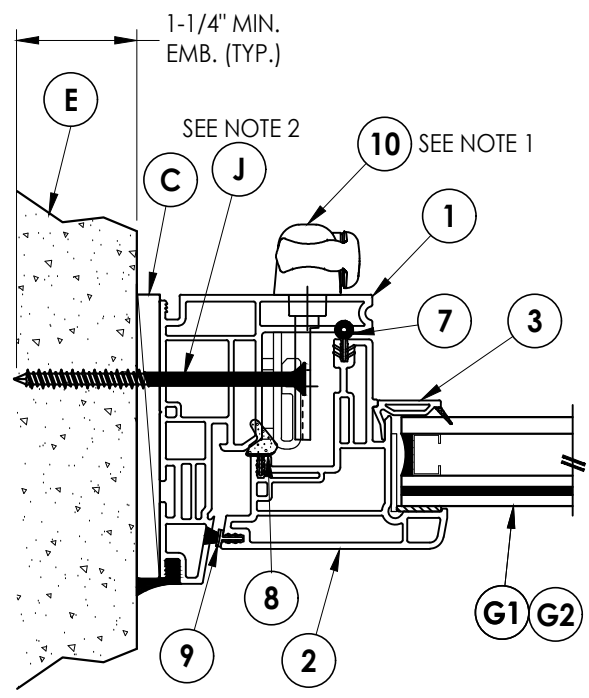
NO.	DATE	REVISIONS
5	7/06/23	UPDATE TO 8TH ED. (2023) FBC
4	7/02/20	UPDATE TO 7TH ED. (2020) FBC
3	4/11/19	REVISE FOR NEW HARDWARE
2	6/01/17	UPDATE TO 6TH ED. (2017) FBC
1	1/28/15	UPDATE TO 5TH ED. (2014) FBC
		BY
		LFS
		JK
		LFS
		LFS
		LFS

DATE: 4/04/13
SCALE: N.T.S.
DWG. BY: JK
CHK. BY: LFS
DRAWING NO.: FL-15817.3
SHEET 1 OF 5

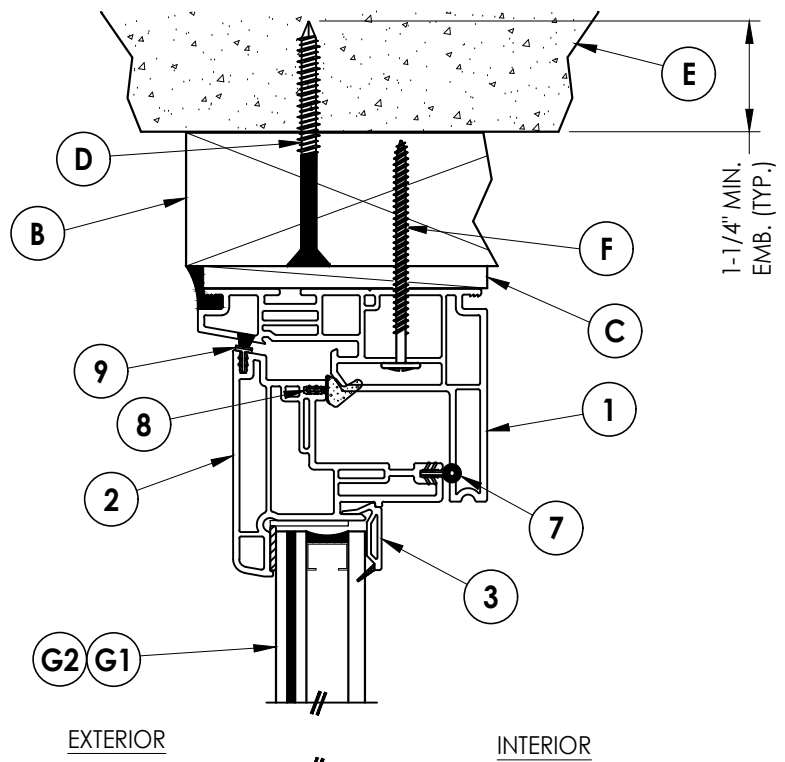
MAX. FRAME DIMENSION	MAX. D.L.O. DIMENSION	GLASS TYPE	DESIGN PRESSURE (PSF)	
			POSITIVE	NEGATIVE
36.0" X 72.0"	29.54" X 65.54"	G1	+55.0	-55.0
		G2	+65.0	-70.0



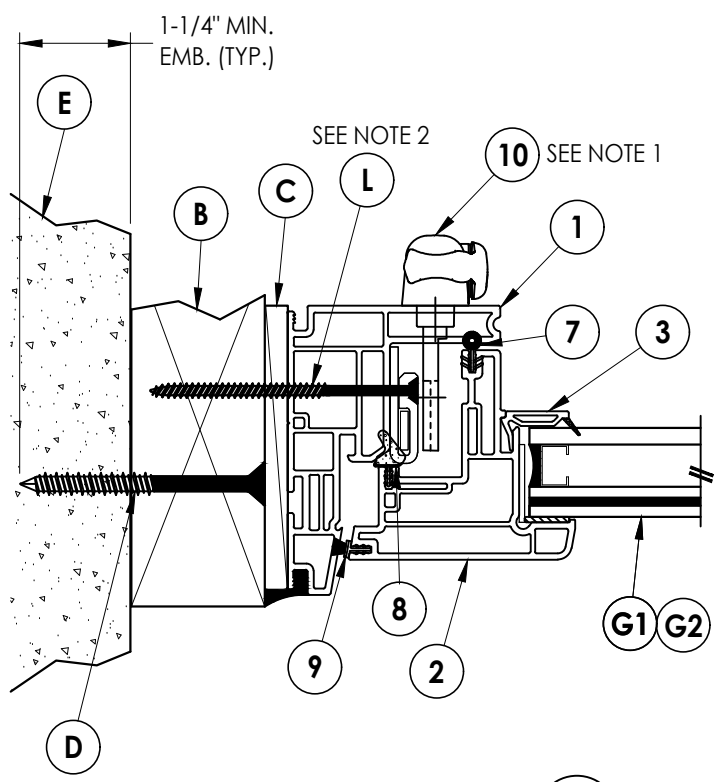
- Notes:
1. Multi-point locks/keepers (4) located at 4.125", 25.75", 46.5" & 66.375" from the bottom of sash.
 2. Items L & J located in one hole of tie bar guide (1 total per guide).
 3. Item G located in outside holes of operator base (2 total).
 4. Item K located in one hole of snubber (1 total per snubber).



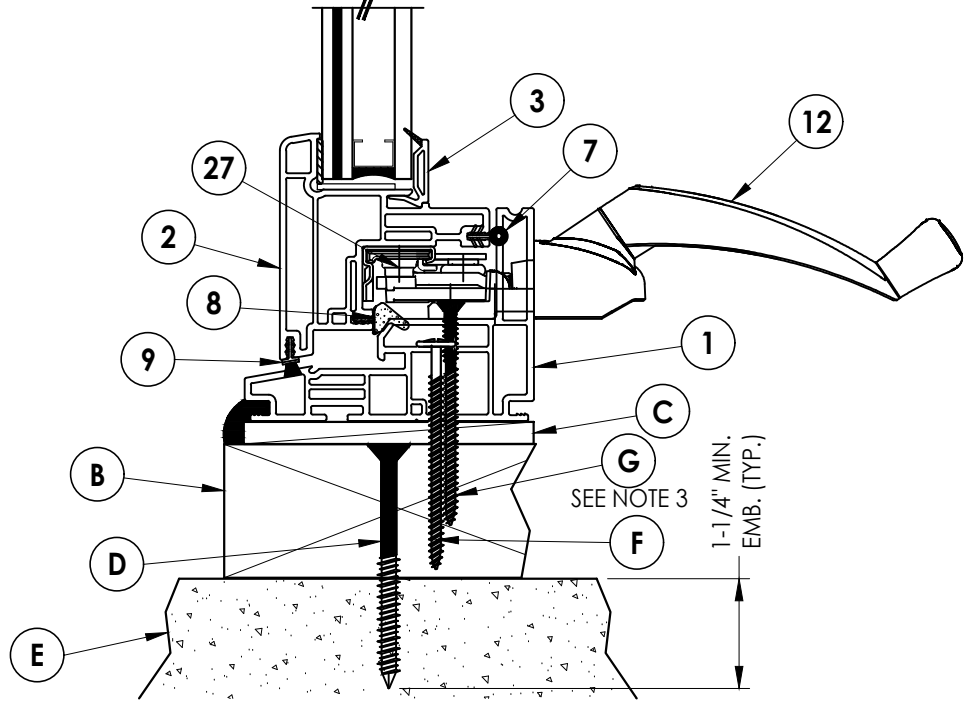
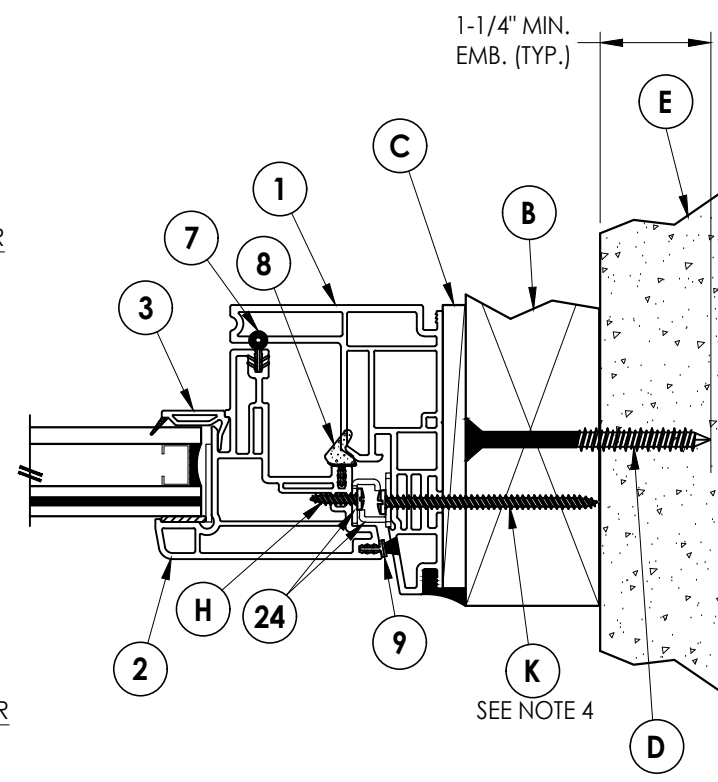
3 HORIZONTAL CROSS SECTION
2 Shown Direct to Masonry



2 VERTICAL CROSS SECTION
2 Shown w/ 2X Buck



1 HORIZONTAL CROSS SECTION
2 Shown w/ 2X Buck



2 VERTICAL CROSS SECTION
2 Shown w/ 2X Buck

Documents Prepared By:
Lyndon F. Schmidt
P.E. No. 43409

RW BUILDING CONSULTANTS, INC.
P.O. Box 230, Vairico, FL 33595
Phone No.: 813.659.9197
FBPE Registry No. 9813

PRODUCT: 8800 SERIES Vinyl Outswinging Casement Window
PART OR ASSEMBLY: HORIZONTAL & VERTICAL CROSS SECTIONS

NO.	DATE	REVISIONS	BY
5	7/06/23	UPDATE TO 8TH ED. (2023)	FBC
4	7/02/20	UPDATE TO 7TH ED. (2020)	FBC
3	4/11/19	REVISE FOR NEW HARDWARE	LFS
2	6/01/17	UPDATE TO 6TH ED. (2017)	FBC
1	1/28/15	UPDATE TO 5TH ED. (2014)	JK

DATE: 4/04/13

SCALE: N.T.S.

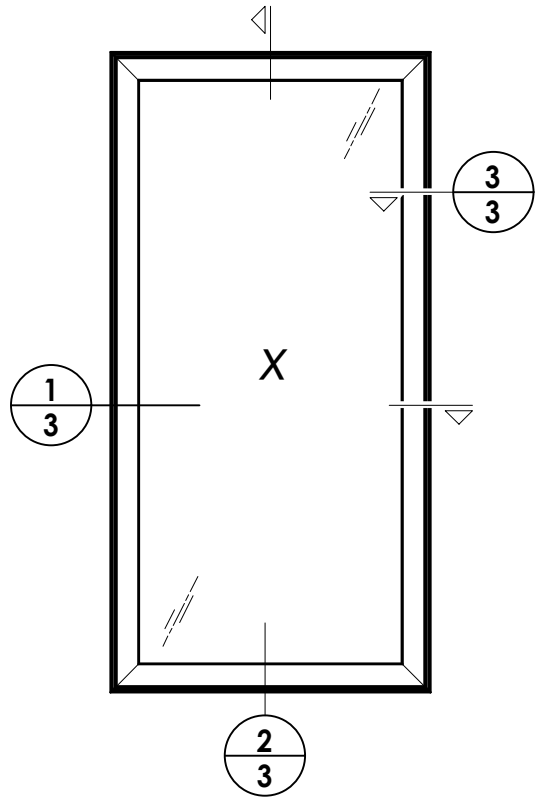
DWG. BY: JK

CHK. BY: LFS

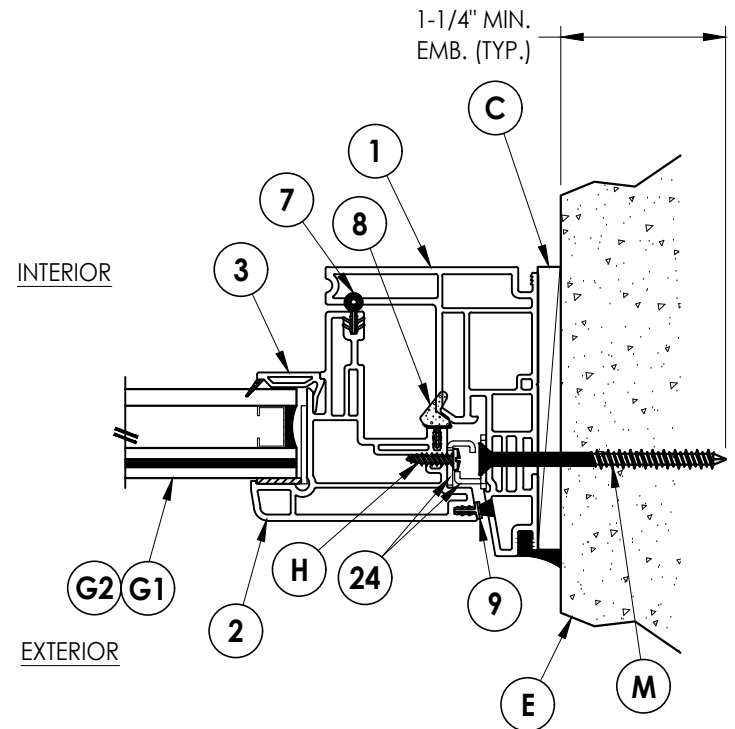
DRAWING NO.: FL-15817.3

SHEET 2 OF 5

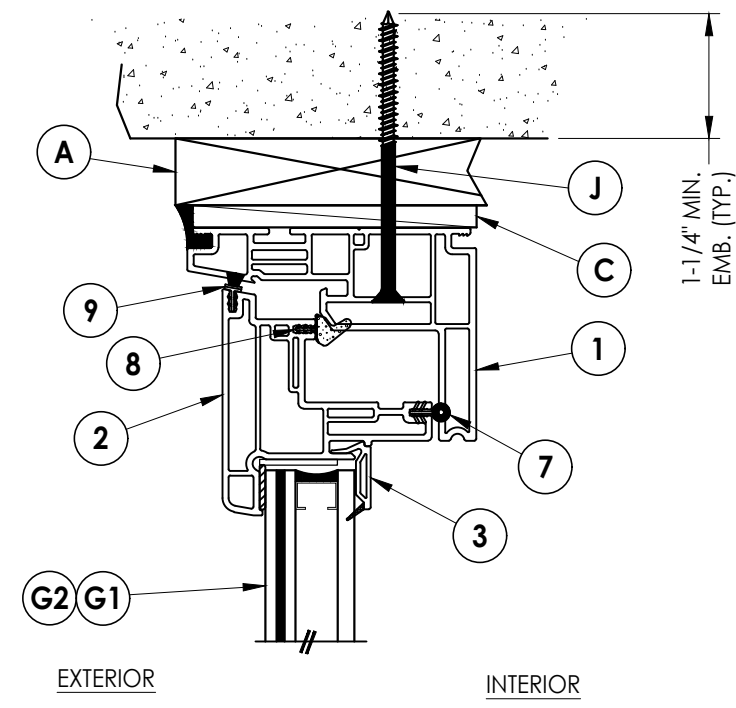
Z:\2023 FBC Drawings\Wincore Window Company\FL-15817 R8\FL-15817.3.dwg



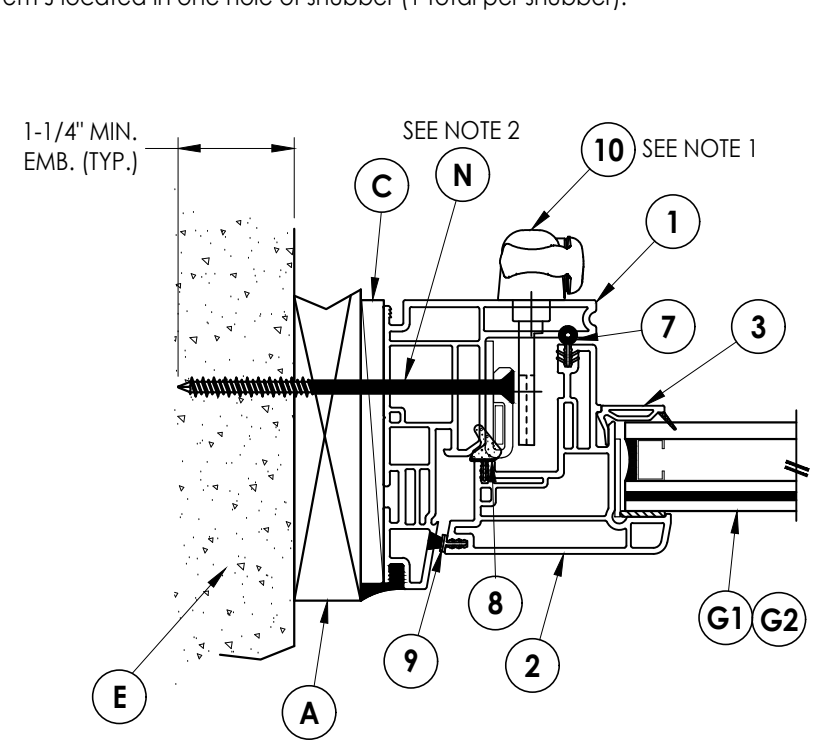
- Notes:
1. Multi-point locks/keepers (4) located at 4.125", 25.75" & 46.5" & 66.375" from the bottom of sash.
 2. Item N located in one hole of tie bar guide (1 total per guide).
 3. Item J located in outside holes of operator base (2 total).
 4. Item J located in one hole of snubber (1 total per snubber).



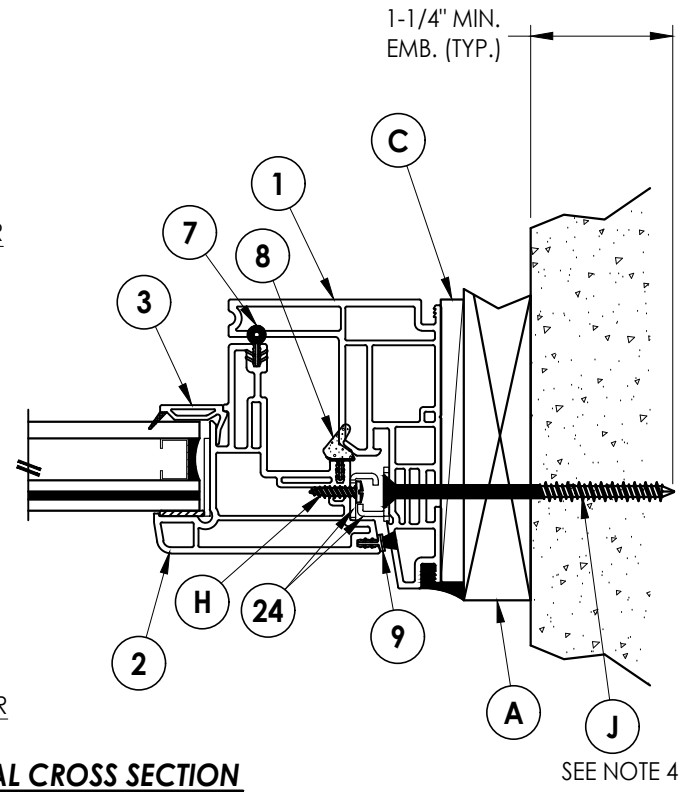
3 HORIZONTAL CROSS SECTION
3 Shown Direct to Masonry



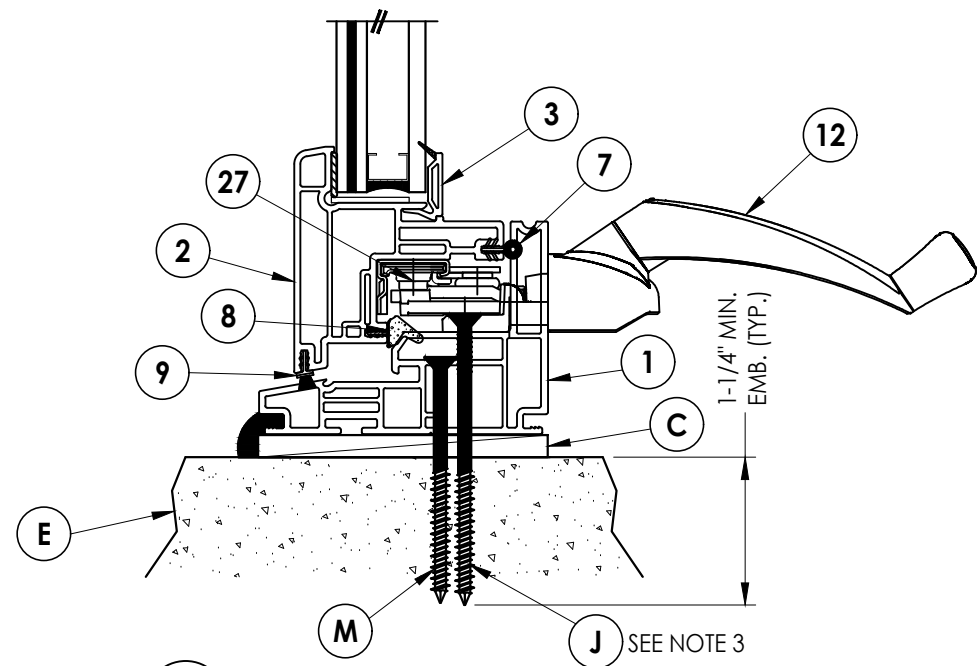
2 VERTICAL CROSS SECTION
3 Shown w/ 1X Buck @ head & Direct to Masonry @ sill



1 HORIZONTAL CROSS SECTION
3 Shown w/ 1X Buck

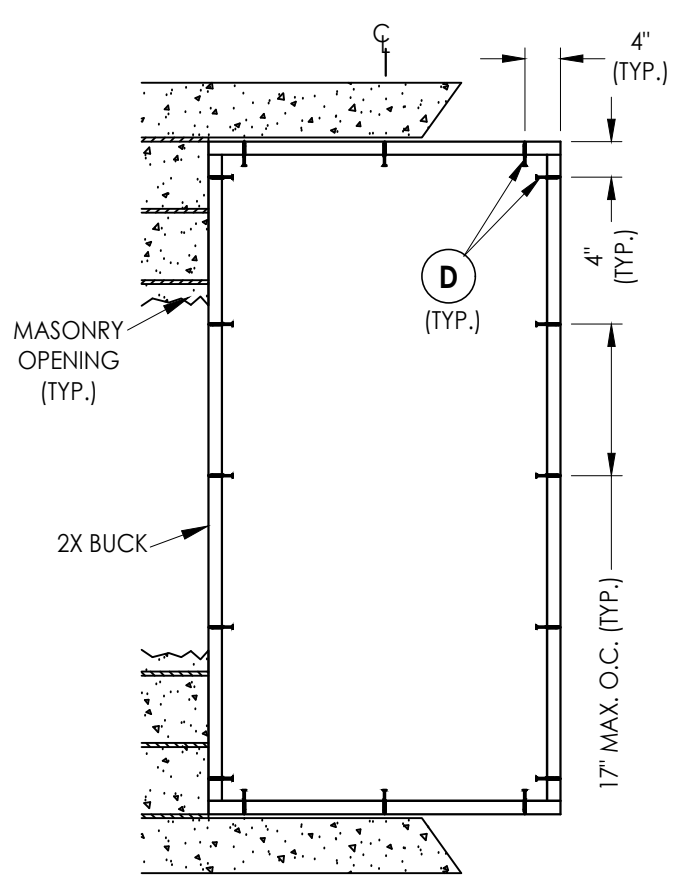


SEE NOTE 4

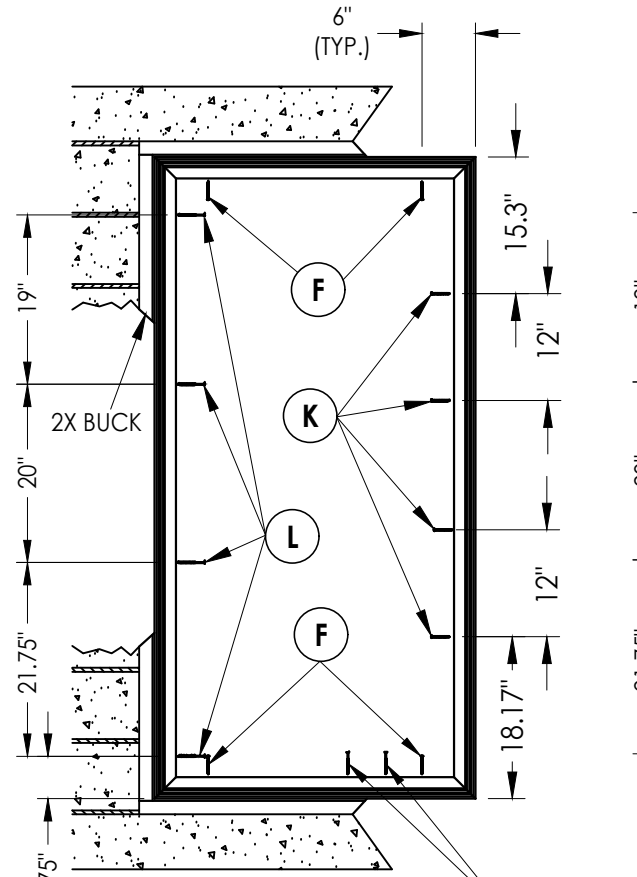


Documents Prepared By: Lyndon F. Schmidt P.E. No. 43409		BUILDING CONSULTANTS, INC. P.O. Box 230, Valrico, FL 33595 Phone No.: 813.659.9197 FBPE Registry No. 9813	
PRODUCT: 8800 SERIES Vinyl Outswing Casement Window		PART OR ASSEMBLY: HORIZONTAL & VERTICAL CROSS SECTIONS	
5	7/06/23	UPDATE TO 8TH ED. (2023)	FBC
4	7/02/20	UPDATE TO 7TH ED. (2020)	FBC
3	4/11/19	REVISE FOR NEW HARDWARE	LFS
2	6/01/17	UPDATE TO 6TH ED. (2017)	FBC
1	1/28/15	UPDATE TO 5TH ED. (2014)	FBC
NO.	DATE	REVISIONS	
DATE: 4/04/13			
SCALE: N.T.S.			
DWG. BY: JK			
CHK. BY: LFS			
DRAWING NO.: FL-15817.3			
SHEET 3 OF 5			

© 2012 R.W. BUILDING CONSULTANTS INC.

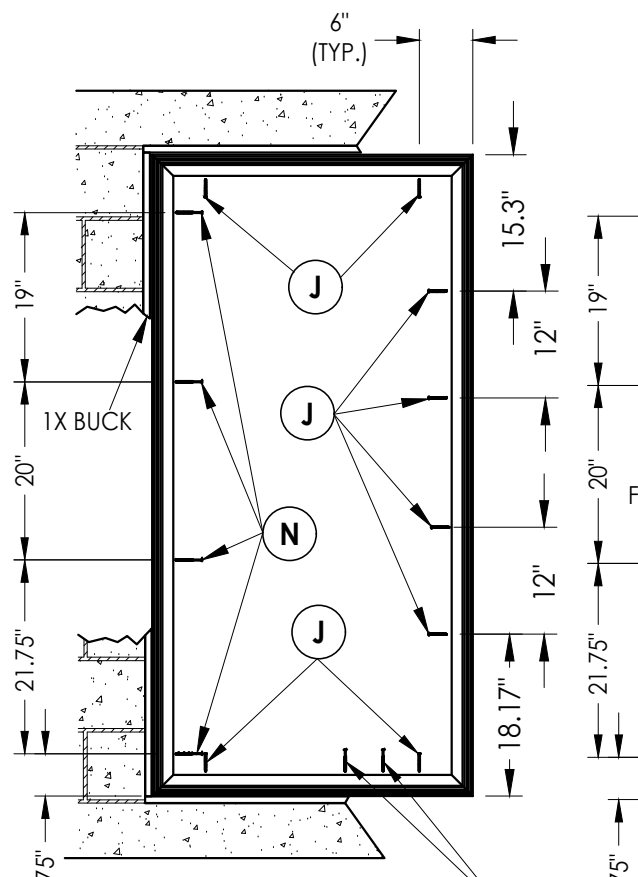


BUCK ANCHORING



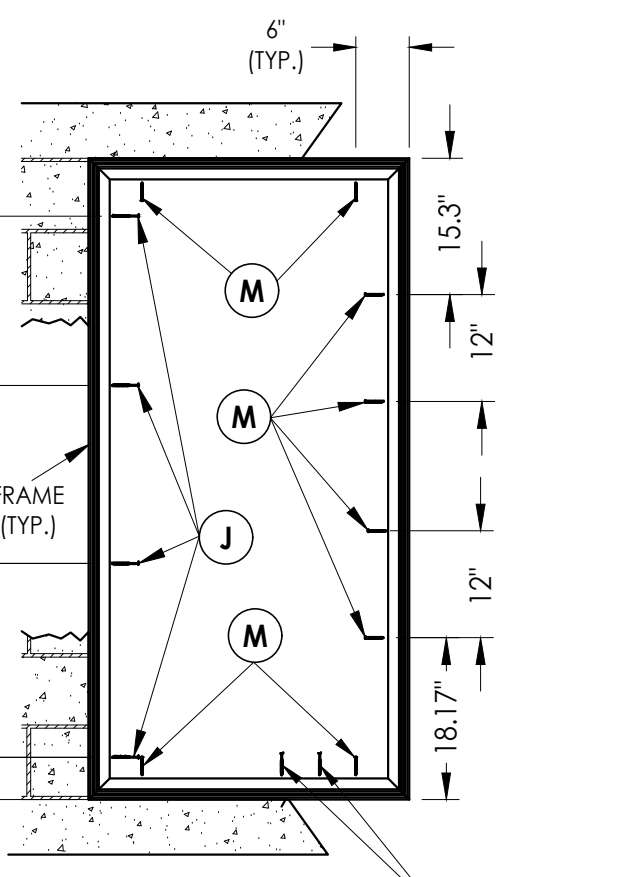
FRAME ANCHORING
2X Buck

F
4.25" O.C.
(THRU OPERATOR)



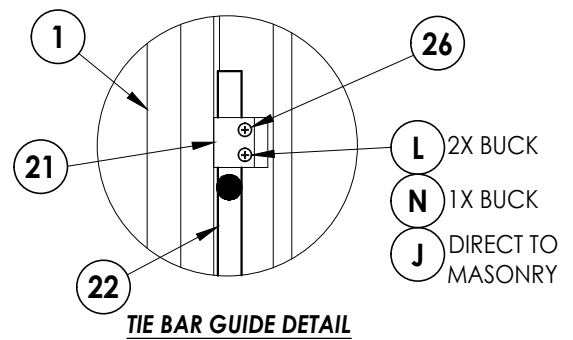
FRAME ANCHORING
1X Buck

J
4.25" O.C.
(THRU OPERATOR)

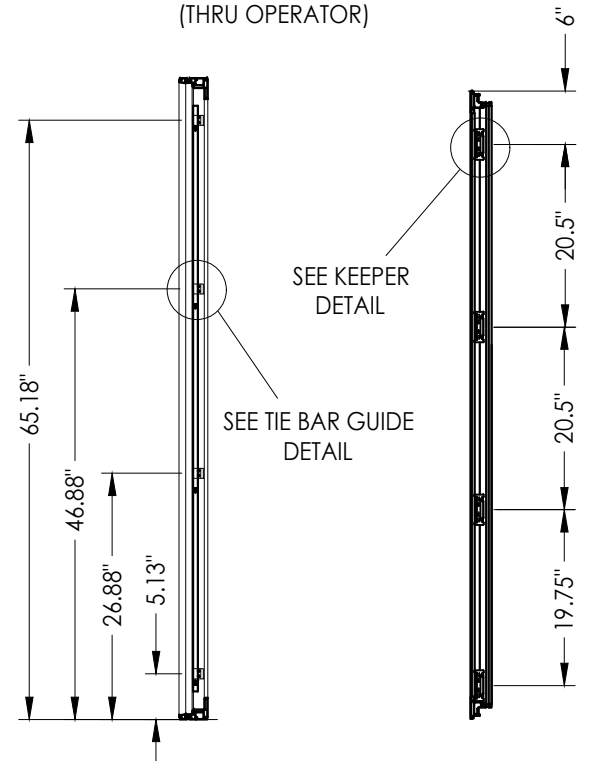


FRAME ANCHORING
Direct to Masonry

M
4.25" O.C.
(THRU OPERATOR)

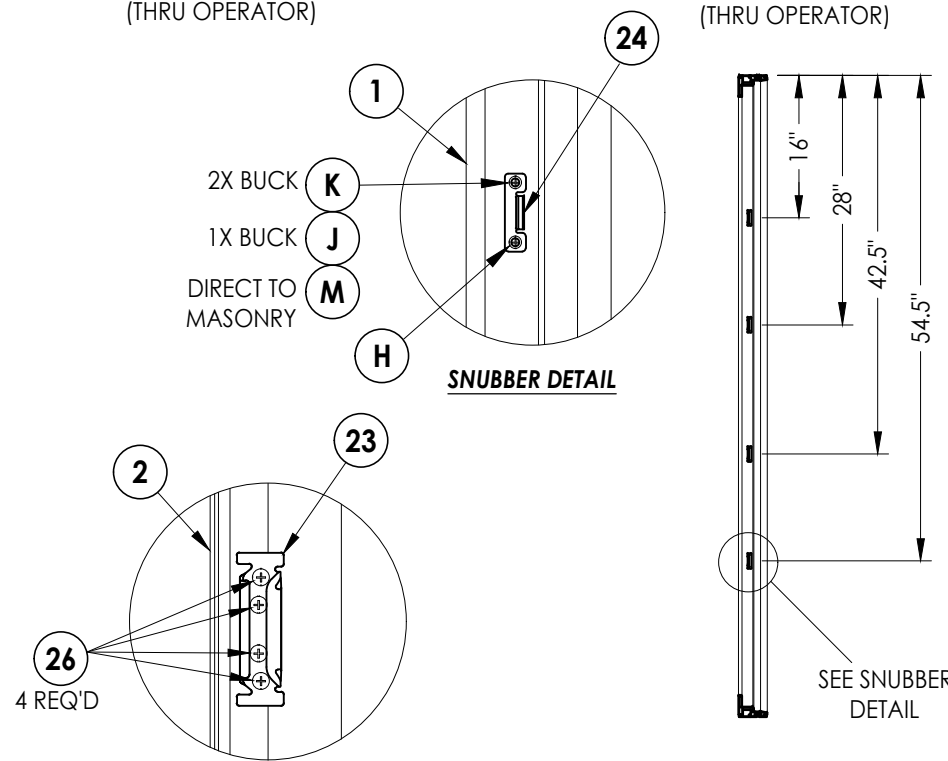


TIE BAR GUIDE DETAIL



LOCK JAMB

KEEPER LOCATIONS



KEEPER DETAIL

SNUBBER LOCATIONS
4 Total

- CONCRETE ANCHOR NOTES:**
- Concrete anchor locations at the corners may be adjusted to maintain the min. edge distance to mortar joints.
 - Concrete anchor locations noted as "MAX. ON CENTER" must be adjusted to maintain the min. edge distance to mortar joints, additional concrete anchors may be required to ensure the "MAX. ON CENTER" dimension are not exceeded.
 - Concrete anchor table:

ANCHOR TYPE	ANCHOR SIZE	MIN. EMBEDMENT	MIN. CLEARANCE TO MASONRY EDGE	MIN. CLEARANCE TO ADJACENT ANCHOR
ITW TAPCON®	3/16" / 1/4"	1-1/4"	2"	4"
DeWALT ULTRACON®	3/16" / 1/4"	1-1/4"	1"	4"

- WOOD SCREW INSTALLATION NOTES:**
- Maintain a minimum 5/8" edge distance, 1" end distance, & 1" o.c. spacing of wood screws to prevent the splitting of wood.

Documents Prepared By:
Lyndon F. Schmidt
P.E. No. 43409

PRODUCT:
8800 SERIES
Vinyl Outswing Casement Window

PART OR ASSEMBLY:
BUCK AND FRAME ANCHORING

NO.	DATE	BY	REVISIONS
5	7/06/23	LFS	UPDATE TO 8TH ED. (2023) FBC
4	7/02/20	LFS	UPDATE TO 7TH ED. (2020) FBC
3	4/11/19	LFS	REVISE FOR NEW HARDWARE
2	6/01/17	LFS	UPDATE TO 6TH ED. (2017) FBC
1	1/28/15	JK	UPDATE TO 5TH ED. (2014) FBC

DATE: 4/04/13

SCALE: N.T.S.

DWG. BY: JK

CHK. BY: LFS

DRAWING NO.:
FL-15817.3

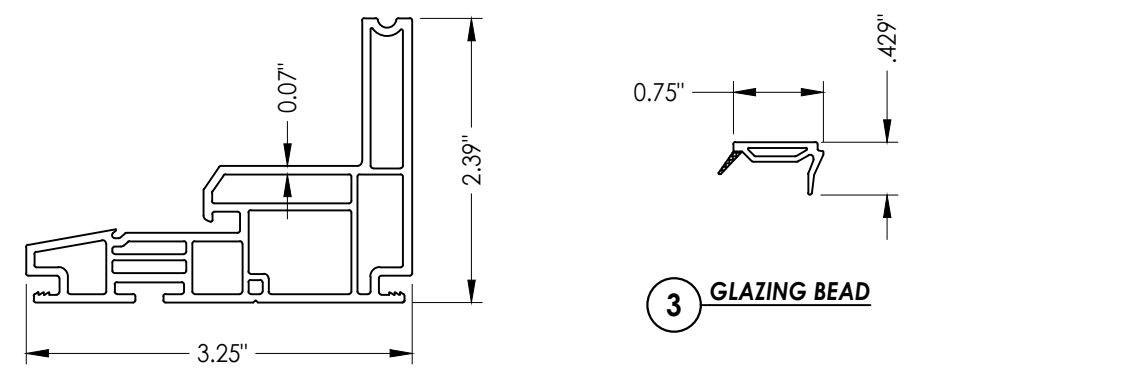
SHEET 4 OF 5

RW BUILDING CONSULTANTS, INC.
P.O. Box 230, Valrico, FL 33595
Phone No.: 813.659.9197
FBPE Registry No. 9813

Z:\2023 FBC Drawings\Wincore Window Company\FL-15817 R8\FL-15817.3.dwg

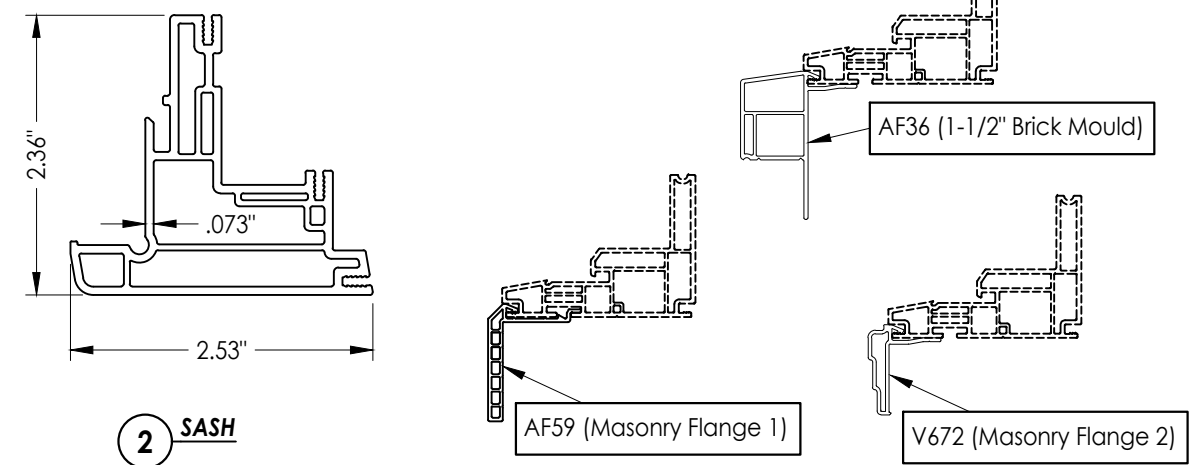
BILL OF MATERIALS		
ITEM #	DESCRIPTION	MATERIAL
A	1X BUCK (SG >= 0.42)	WOOD
B	2X BUCK (SG >= 0.42)	WOOD
C	1/4" MAX. SHIM SPACE	-
D	1/4" X 2-3/4" PFH DeWALT OR ITW CONCRETE SCREW	STEEL
E	MASONRY - 3,000 PSI MIN. CONCRETE CONFORMING TO ACI 301 OR HOLLOW BLOCK CONFORMING TO ASTM C90	CONCRETE
F	#8 X 2-1/2" MODIFIED TRUSS HEAD (7/16" Ø) SMS (1-3/8" MIN. EMBEDMENT)	STEEL
G	#8 X 2-1/2" PFH WOOD SCREW (7/8" MIN. EMB.)	STEEL
H	#8 X 1/2" PPH SMS	STEEL
J	3/16" X 3-1/4" PFH DeWALT OR ITW CONCRETE SCREW	STEEL
K	#8 X 2-1/2" PPH WOOD SCREW (1-1/2" MIN. EMB.)	STEEL
L	#8 X 3" PFH SMS (1-5/16" MIN. EMB.)	STEEL
M	3/16" X 2-3/4" PFH DeWALT OR ITW CONCRETE SCREW	STEEL
N	3/16" X 3-3/4" PFH DeWALT OR ITW CONCRETE SCREW	STEEL
1	FRAME*	PVC
2	SASH*	PVC
3	GLAZING BEAD*	PVC
7	WEATHERSTRIP AMESBURY (CS 120 33-SEAL)	FOAM
8	WEATHERSTRIP AMESBURY (12300 SEAL)	VINYL
9	WEATHERSTRIP ULTRA FAB .250 (PILE - 250 - KP52)	VINYL
10	MULTI-POINT LOCK (TRUTH) 24.33.32.004	-
12	OPERATOR HANDLE (TRUTH) 50.10.00.011	-
21	TIE BAR GUIDE (TRUTH) 32384	-
22	TIE BAR (TRUTH) 12926	-
23	KEEPER (TRUTH)	-
24	SNUBBER (TRUTH) (SASH/FRAME) 22999	-
26	#8 X 1/2" PFH SMS	S.S.
27	OPERATOR (TRUTH STANDARD, MAX. CLEAR OR STAINLESS STEEL)	STEEL

* THE APPROVED WHITE RIGID PVC EXTERIOR EXTRUSIONS FOR WINDOWS ARE TO BE PRODUCED BY EXTRUDERS LICENSEES IN "AAMA CERTIFICATION PROGRAMS FOR RIGID PVC EXTRUSIONS".



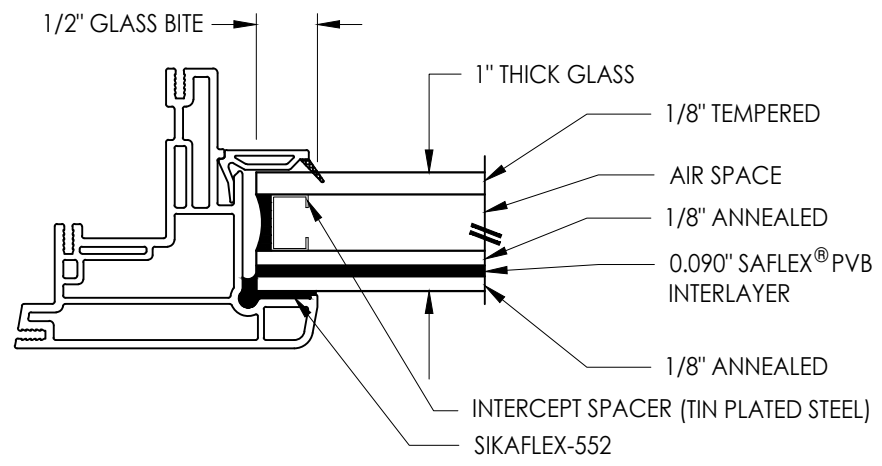
1 FRAME

3 GLAZING BEAD

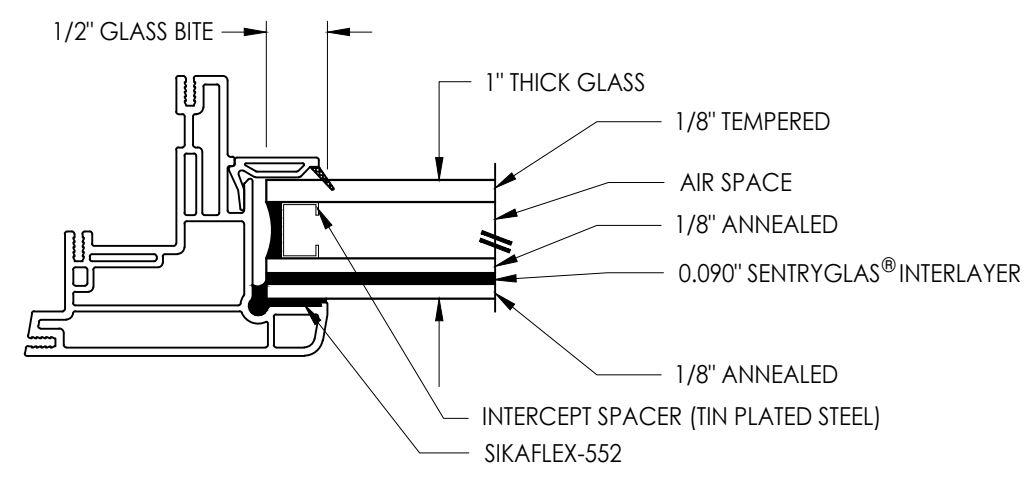


2 SASH

OPTIONAL COSMETIC FLANGES



G1 GLAZING DETAIL



G2 GLAZING DETAIL

Documents Prepared By:
Lyndon F. Schmidt
P.E. No. 43409

RW BUILDING CONSULTANTS, INC.
P.O. Box 230, Valrico, FL 33595
Phone No.: 813.659.9197
FBPE Registry No. 9813

PRODUCT: 8800 SERIES
Vinyl Outswing Casement Window

PART OR ASSEMBLY:
BILL OF MATERIALS, COMPONENTS
AND GLAZING DETAIL

NO.	DATE	REVISIONS
5	7/06/23	UPDATE TO 8TH ED. (2023) FBC LFS
4	7/02/20	UPDATE TO 7TH ED. (2020) FBC LFS
3	4/11/19	REVISE FOR NEW HARDWARE LFS
2	6/01/17	UPDATE TO 6TH ED. (2017) FBC LFS
1	1/28/15	UPDATE TO 5TH ED. (2014) FBC JK
		BY

DATE: 4/04/13
SCALE: N.T.S.
DWG. BY: JK
CHK. BY: LFS
DRAWING NO.: FL-15817.3
SHEET 5 OF 5